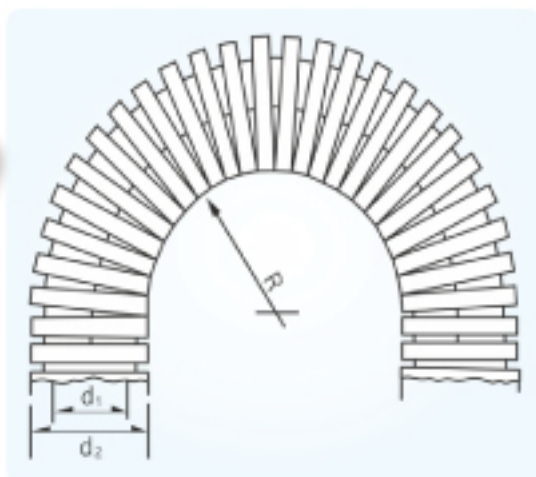


POLYAMID FLEXIBLE CONDUCT PIPE

HSN CODE - 39173100



Technical Details :

Material	Polyamide PA - 6 - V - 2
Tensile Strength	750 N
Impact Strength	(+23°C) > 20 J (-15°C) > 6 J
Temperature Range	-40°C to +120°C Continuous, Short Term 150°C

CAT NO. BLACK	A D SIZE	INNER DIAMETER d1 (mm)	OUTER DIAMETER d2 (mm)	BENDING RADIUS R (mm) ± 10%	PRICE/MTR	PACKING/MTR	ROLL/STD PACK
JCP - 7	10	6.5	10.0	20	22.00	100	16
JCP - 9	13	10	13.0	30	24.00	100	10
JCP - 11	15.8	12	15.8	40	33.00	50	10
JCP - 13.5	18.4	14.3	18.5	42	38.00	50	10
JCP - 16	21.2	16.5	21.2	45	45.00	50	10
JCP - 21	28.5	23.5	28.5	55	70.00	50	8
JCP - 29	34.5	29	34.5	60	90.00	25	6
JCP - 36	42.5	36	42.5	65	135.00	25	6