

# TECHNICAL DATA SHEET



*PAWAN ENTERPRISES*

B/22F, Malad Industrial Estate,  
Kanchpada, Malad (West),  
Mumbai 400 064.

GSTIN: 27AACPP8925D1ZM

Phone: 022-8488330/28488832

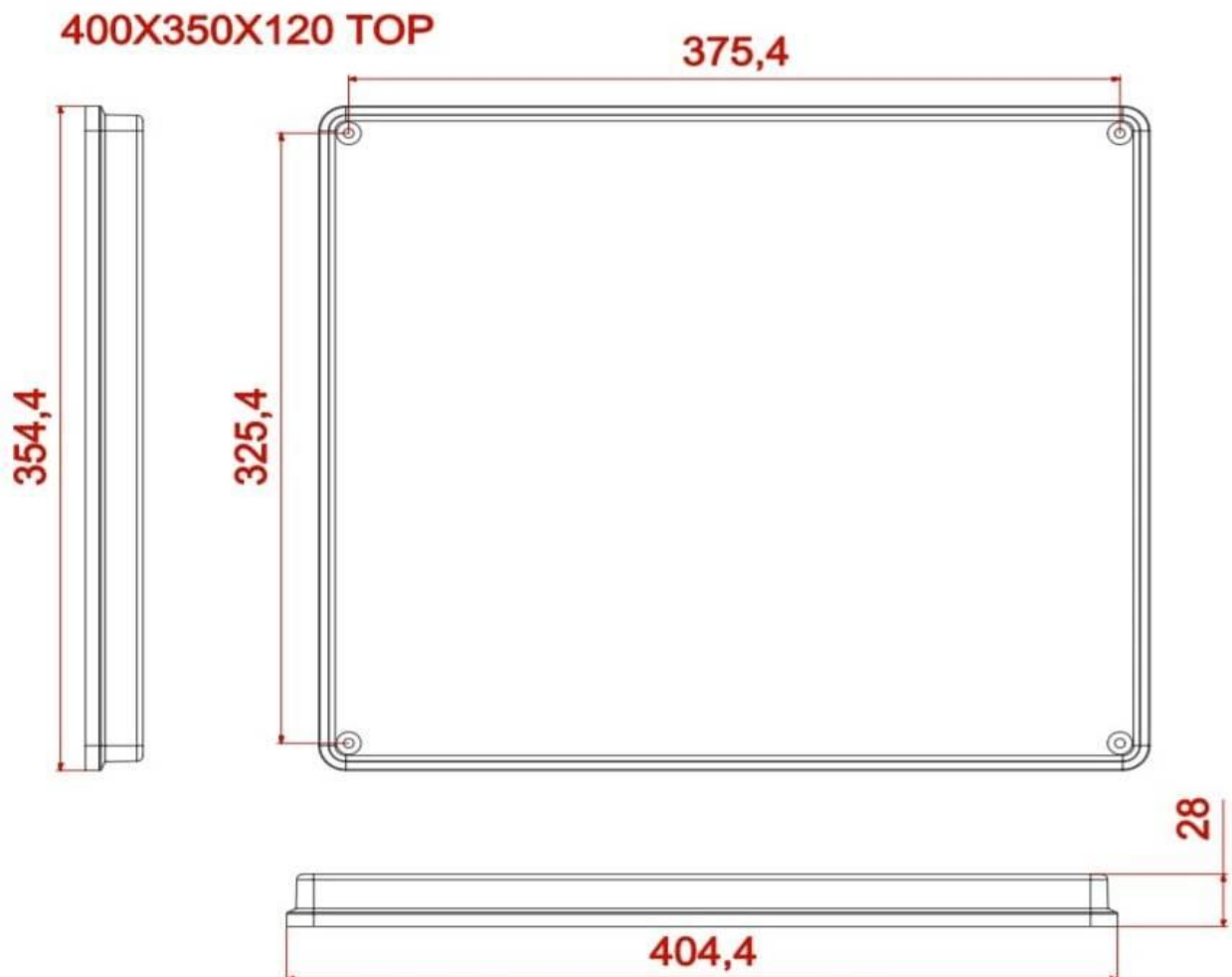
Email: [jainson\\_gadia@yahoo.com](mailto:jainson_gadia@yahoo.com)

Website: [www.jainsongroup.co.in](http://www.jainsongroup.co.in)

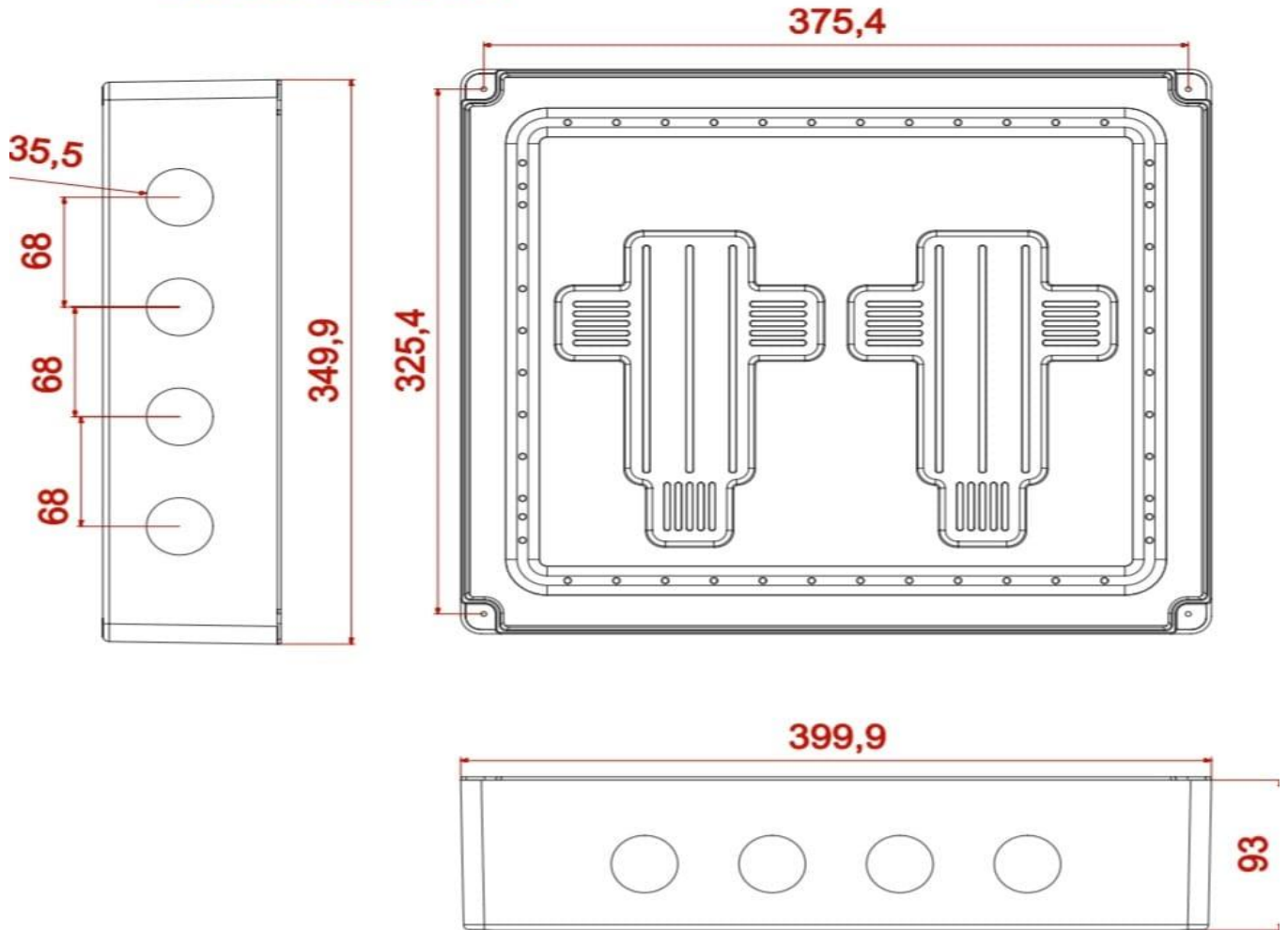
## PRODUCT DESCRIPTION

Product Name	Waterproof ABS Junction Boxes
Product Catalogue No.	JJB-400
IP Rating	IP 65
Product Material	ABS
Product Colour Shade	White
Gasket Material	White Silicone Rubber
Screws Material	Mild Steel - White Zinc Plated
Product Dimension	400mm x 350mm x 120mm

## Product Drawing



**400X350X120 BODY**



Thanking You.  
Yours faithfully,  
Vishal P Poddar  
For Pawan Enterprise  
(JAINSON)  
09819927597