

TECHNICAL DATA SHEET



PAWAN ENTERPRISES

B/22F, Malad Industrial Estate, Kanchpada,
Malad (West), Mumbai 400 064.

GSTIN: 27AACPP8925D1ZM

Phone: 022-28488330/28488832

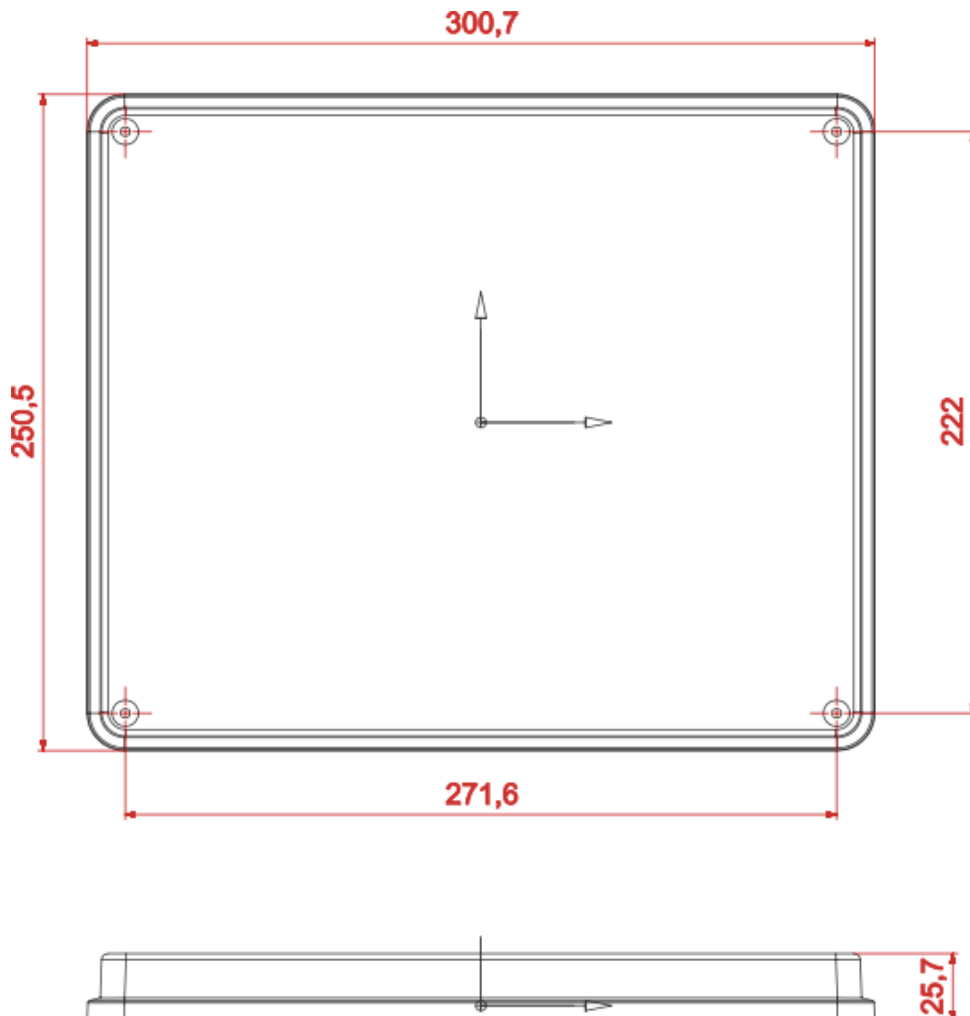
Email: jainson_gadia@yahoo.com

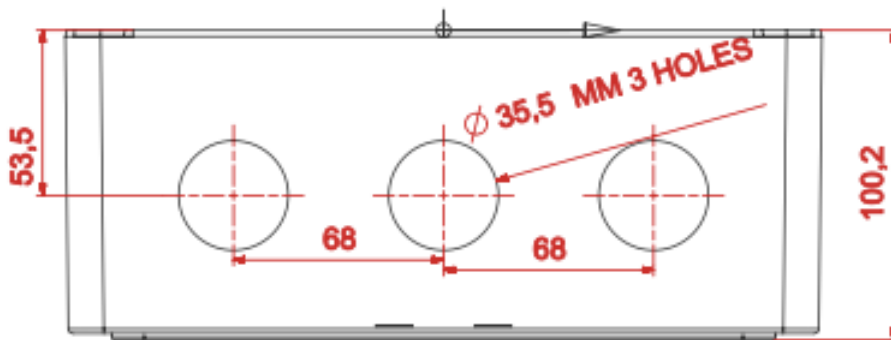
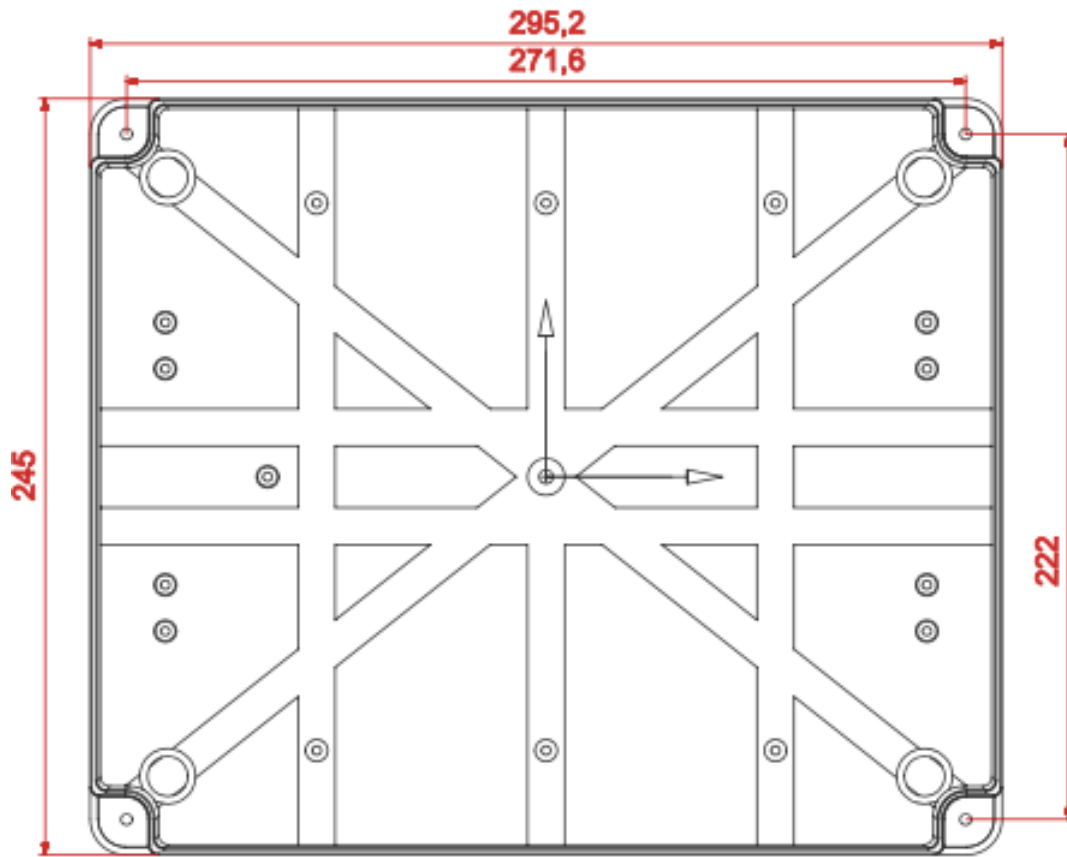
Website: www.jainsongroup.co.in

PRODUCT DESCRIPTION

Product Name	Waterproof ABS Junction Boxes
Product Catalogue No.	JJB-300
IP Rating	IP 65
Product Material	ABS
Product Colour Shade	White
Gasket Material	White Silicone Rubber
Screws Material	Mild Steel - White Zinc Plated
Product Dimension	300mm x 250mm x 120mm

Product Drawing





Checked by –
 Abhishek Shinde
 Sr. Engineer-Quality Assurance