

TECHNICAL DATA SHEET



PAWAN ENTERPRISE

B/22F, Malad Industrial Estate, Kanchpada,
Malad (West), Mumbai 400 064.

GSTIN: 27AACPP8925D1ZM

Phone: 9322230867

Email: jainson_gadia@yahoo.com

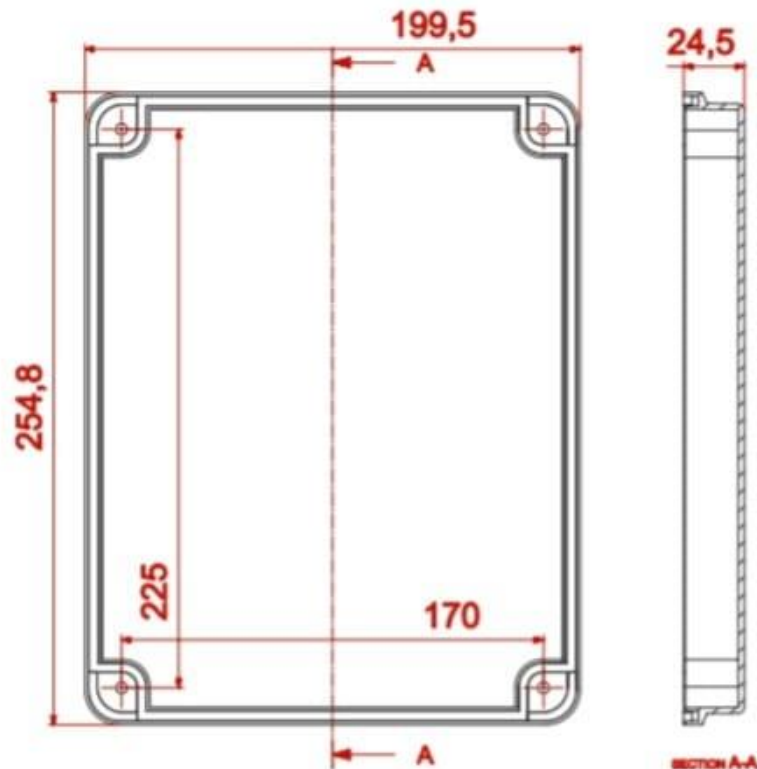
Website: www.jainsongroup.co.in

PRODUCT DESCRIPTION

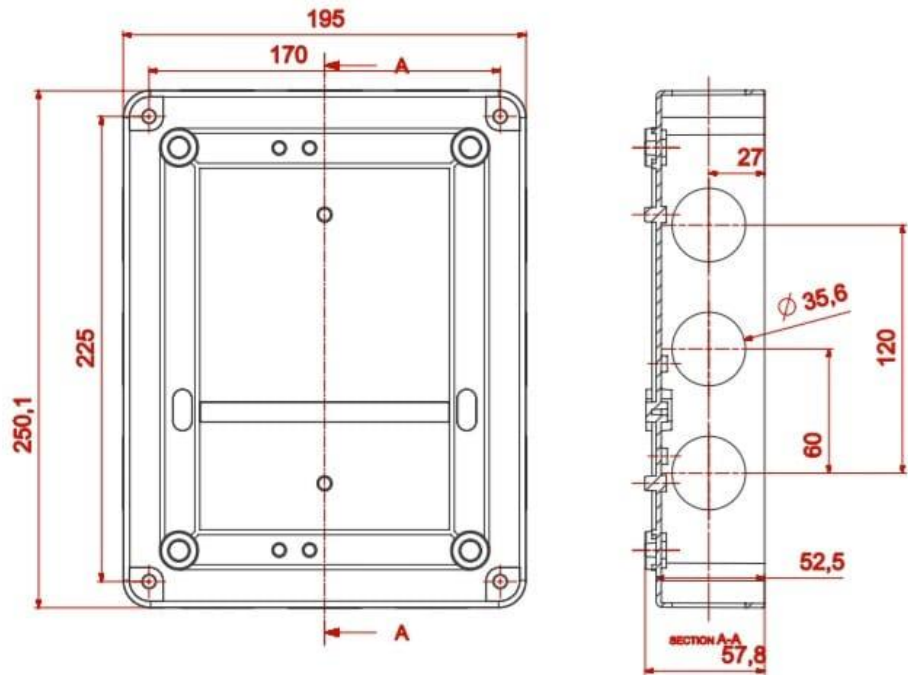
Product Name	Waterproof ABS Junction Boxes
Product Catalogue No.	JJB-255
Product Material	ABS
Product Colour Shade	White
Gasket Material	White Silicone Rubber
Screws Material	Mild Steel - White Zinc Plated
Product Dimensions (In mm)	255 x 200 x 80

PRODUCT DRAWING

200 X 250 X 80 JAINSON JUNCTION BOX TOP



**200 X 250 X 80
JAINSON JUNCTION BOX BOTTOM**



Checked by –
Abhishek Shinde
Sr. Engineer-Quality Assurance