

# TECHNICAL DATA SHEET



## **PAWAN ENTERPRISE**

B/22F, Malad Industrial Estate, Kanchpada,  
Malad (West), Mumbai 400 064.

GSTIN: 27AACPP8925D1ZM

Phone: 9322230867

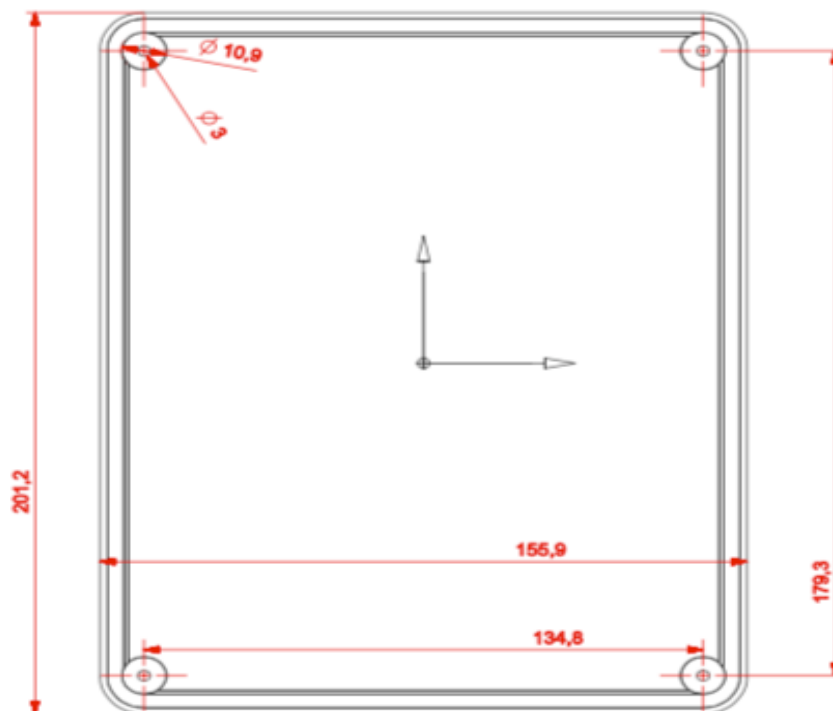
Email: [jainson\\_gadia@yahoo.com](mailto:jainson_gadia@yahoo.com)

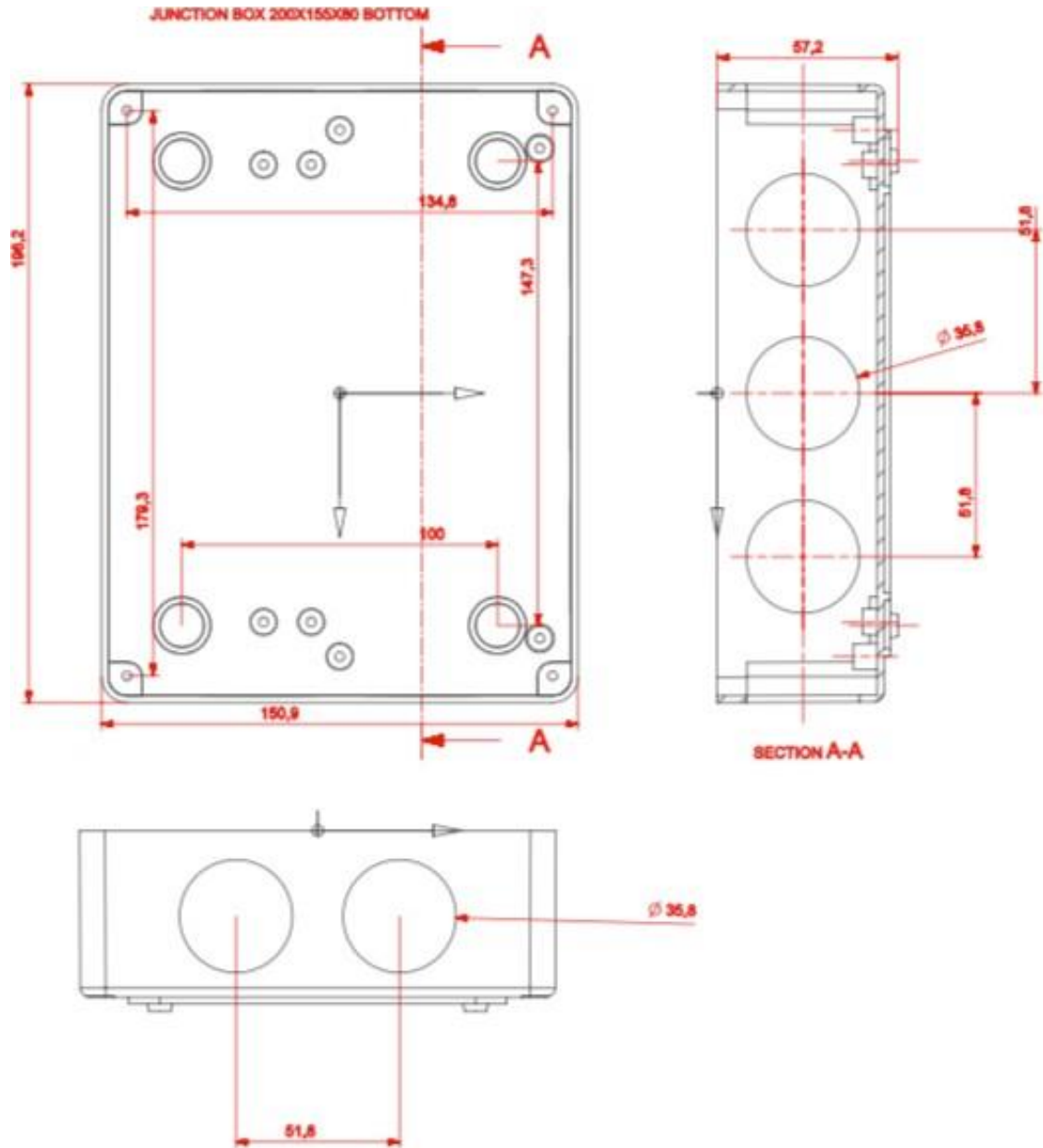
Website: [www.jainsongroup.co.in](http://www.jainsongroup.co.in)

### PRODUCT DESCRIPTION

Product Name	Waterproof ABS Junction Boxes
Product Catalogue No.	JJB-200
Product Material	ABS
Product Colour Shade	White
Gasket Material	White Silicone Rubber
Screws Material	Mild Steel - White Zinc Plated
Product Dimensions (In mm)	200 x 155 x 80

### PRODUCT DRAWING





Checked by –  
 Abhishek hinde  
 Sr. Engineer-Quality Assurance